



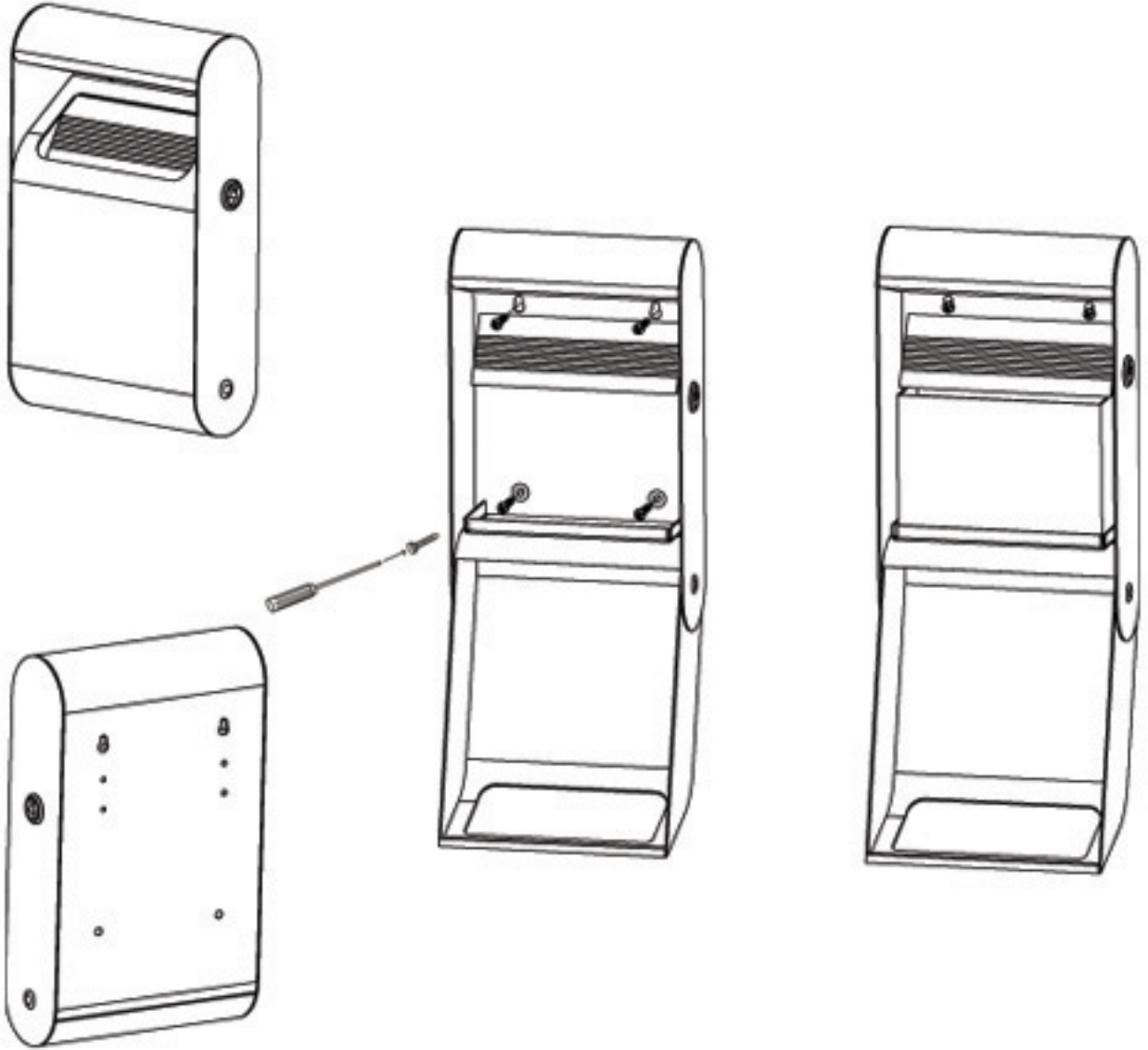
Spülen & Hygiene Ascher

Artikel-Nr.
868005 (AT-0202-DGRY)

Handbuch

Instructions / Installation / Instalacion /
Installazione / Installatie

Wall Mounted Ash Tray AT-0202



 X1	 X4	 Ø4mm X4
---	---	--